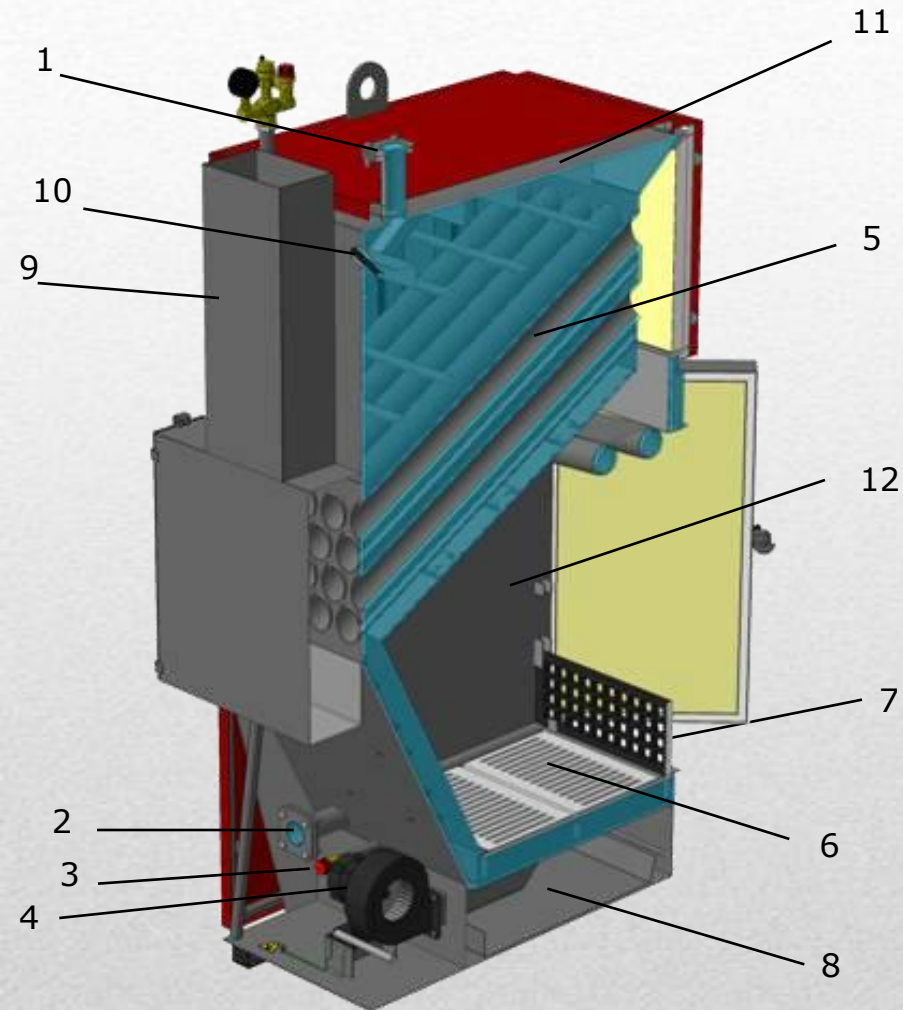




 ardenz

**SOLID FUEL BOILERS**  
**output 100-200 kW**

## Main components



1. C.H. flow connection.
2. C.H. return connection.
3. Discharge connection.
4. Fan.
5. Heat exchanger tube (metal thickness – 3,5 mm).
6. Cast iron grate.
7. Cast iron fencing grate.
8. Ash box.
9. Chimney.
- 10 . Sleeve of thermometer.
11. Insulation (Isover).
12. Combustion chamber  
T100 – metal thickness – 4 mm  
T200 – metal thickness – 5 mm

## Type of fuel



Firewood



Coal



Brown coal



Peat



Briquettes



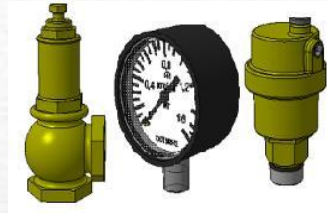
Kindling-wood

# Boiler components



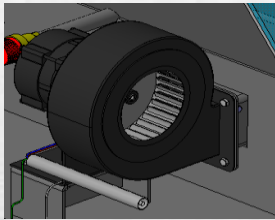
## Digital control unit

*Adjusts fan speeds depending of the fuel type*



## Safety kit

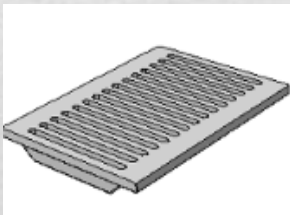
- *safety valve;*
- *manometer;*
- *thermometer.*



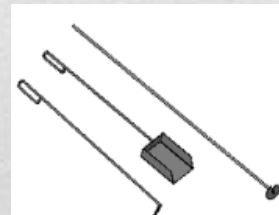
## Fan



## Cast iron fencing grate



## Cast iron grate - 2 pcs



## Stoker tool:

- *fire iron;*
- *scoop;*
- *drill.*