



**INNOVATIONS
AND PROFESSIONALISM!**



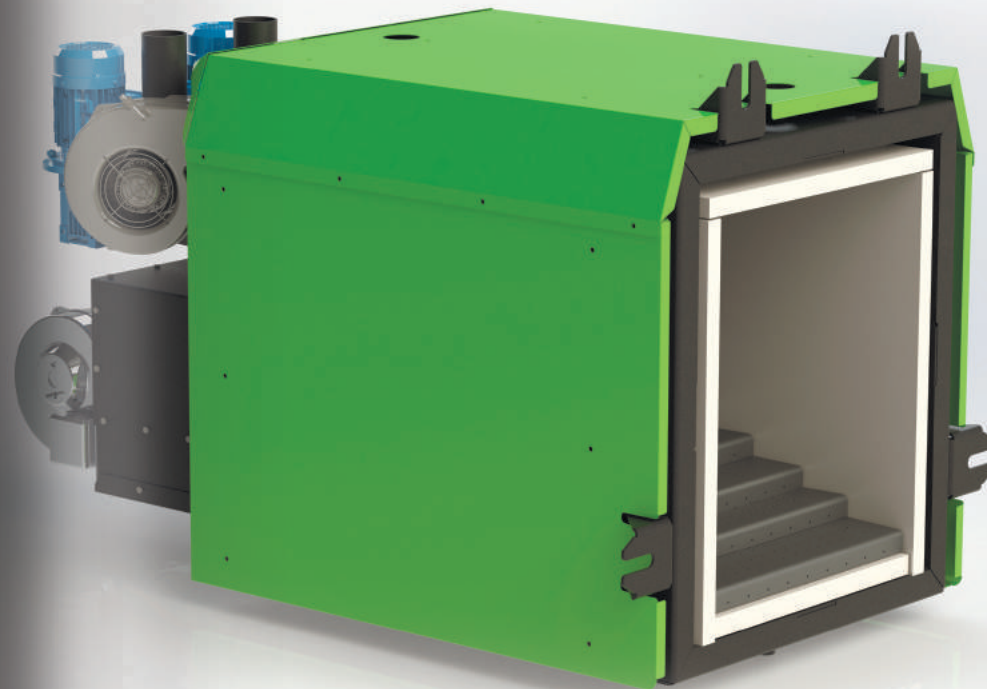
+38 (057) 757-68-33
+38 (099) 061-85-75
+38 (068) 343-13-81
+38 (095) 020-40-54



info@bioprom.ua
export@bioprom.ua



www.bioprom.ua



**PRODUCTION OF
PELLET BURNERS
AND AUTOMATION DEVICES
FOR SOLID FUEL BOILERS**

ABOUT COMPANY

"BIOPROM KHARKOV" Ukrainian company has been successfully designing and producing pellet burners and controllers for solid fuel boilers within over 10 years.

We are a **full-cycle production**, therefore, each stage of production is controlled in accordance with **ISO 9001 standard**, which guarantees the quality of pellet burners and controllers.

Since **2008**, our company has confidently won a worthy place among the leaders in the production of **equipment for alternative energy sources**, and has also established itself as a reliable supplier of high quality products.

"BIOPROM KHARKOV" produces **AIR pellet flare pellet burner and controllers** for solid fuel boilers.

The burners we produce (power from 15 kW to 1.5 MW) are used both in everyday life and in

A NUMBER OF ADVANTAGES OF FLARE PELLET BURNERS:

- Installation on solid fuel boilers of different types
- Undemanding in terms of fuel quality
- Easy maintenance
- High efficiency - up to 95%
- Automated mode of operation
- Remote monitoring and control over wi-fi network

Alternative energy sources are easy to maintain and cost effective for any enterprise.

To simplify and ensure the most efficient control over solid fuel boilers with pellet burners, use **AIR controllers** that fully automate the operation of the equipment.

“ OUR MAIN GOAL:

Saving the environment and natural resources by using alternative energy sources (AES)

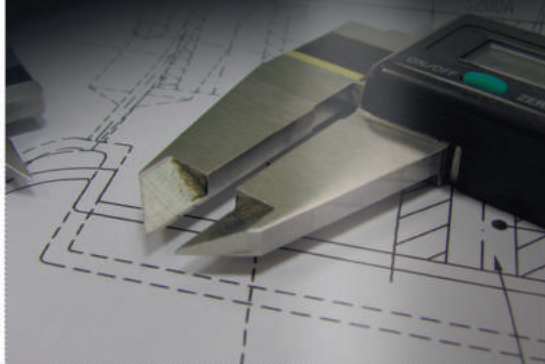


ACHIEVEMENTS IN THE MARKET

Over

10 
years
in the market

Product quality meets
ISO 9001
international standard



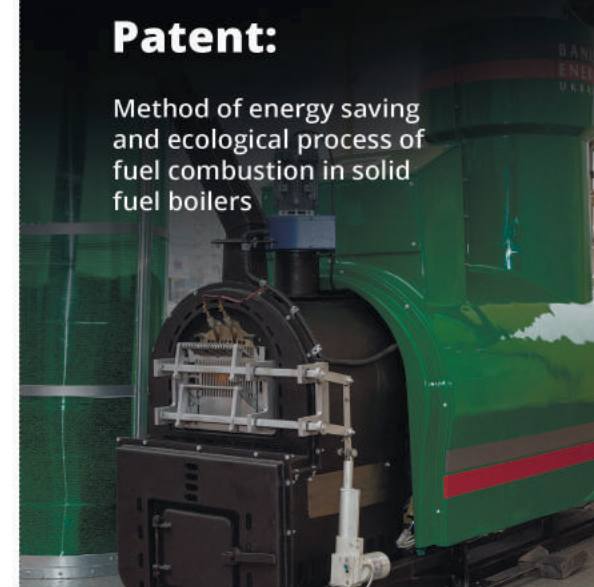
We cooperate

with **24**
plants

for the production of solid
fuel boilers in the CIS countries

Patent:

Method of energy saving
and ecological process of
fuel combustion in solid
fuel boilers



Development of

automatic control

of pellet burners over
wi-fi network



Over

3,5
thousand
of installed
pellet burners

Opening of the department at

**Kharkiv
National
University**

named after Petro Vasilenko

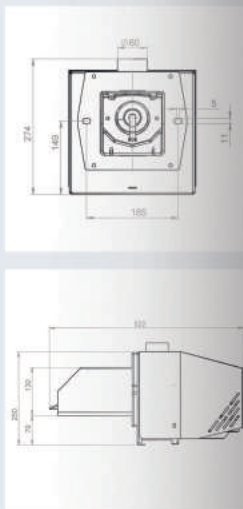
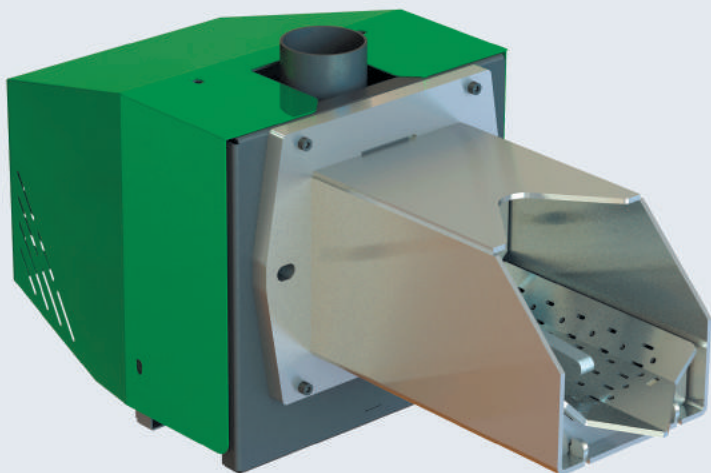


Over

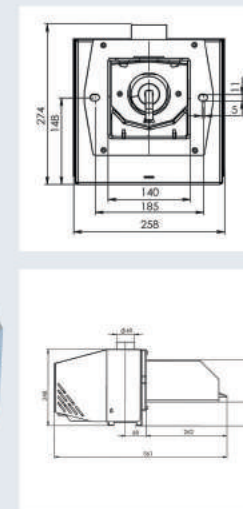
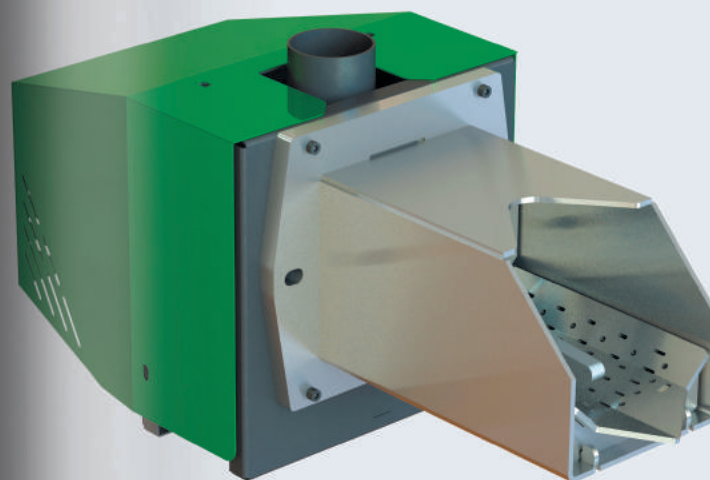
200
thousand

of **controllers** installed
on solid fuel boilers

PELLET BURNER AIR PELLET 15 KW



PELLET BURNER AIR PELLET 36 KW



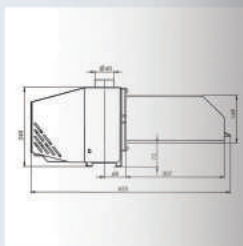
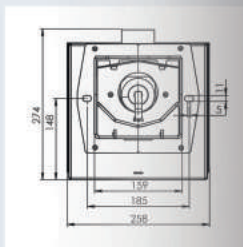
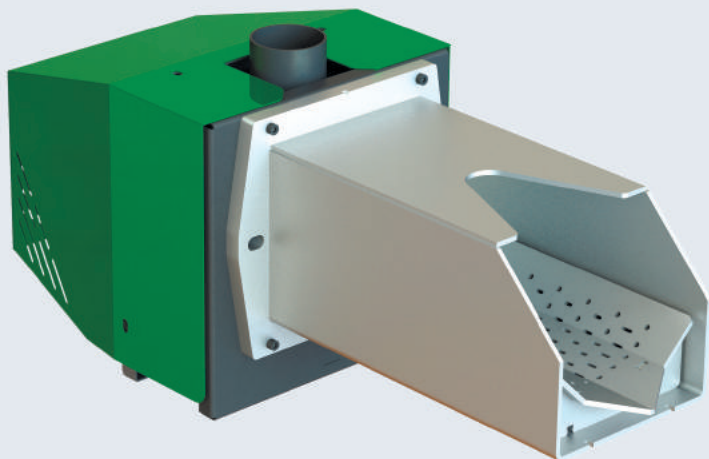
TECHNICAL SPECIFICATIONS

ITEM	PARAMETERS
Thermal power min./max. kw	5-15 kw
Power modulation	5-100%
Fuel type	Granulated DIN Plus 6-8 mm pellets
Automatic cleaning system	Mechanical, mobile poker
The diameter of the filling neck of the burner	60,55 mm
Minimum combustion chamber draft	20 Pa
Noise level	50 dB (A)
Burner weight	11 kg
Power voltage	230 V +/- 10% / 50 Hz
Maximum power consumption in the ignition mode	500 W
Maximum power consumption in operation mode	130 W
Degree of protection	IP 40

TECHNICAL SPECIFICATIONS

ITEM	ПАРАМЕТРЫ
Thermal power min./max. kw	9-36 kw
Power modulation	5-100%
Fuel type	Granulated DIN Plus 6-8 mm pellets
Automatic cleaning system	Mechanical, mobile poker
The diameter of the filling neck of the burner	65,55 mm
Minimum combustion chamber draft	20 Pa
Noise level	50 dB (A)
Burner weight	15,5 kg
Power voltage	230 V +/- 10% / 50 Hz
Maximum power consumption in the ignition mode	500 W
Maximum power consumption in operation mode	130 W
Degree of protection	IP 40

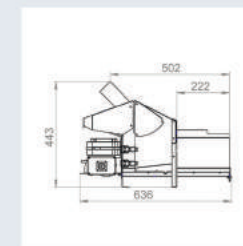
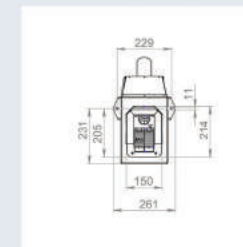
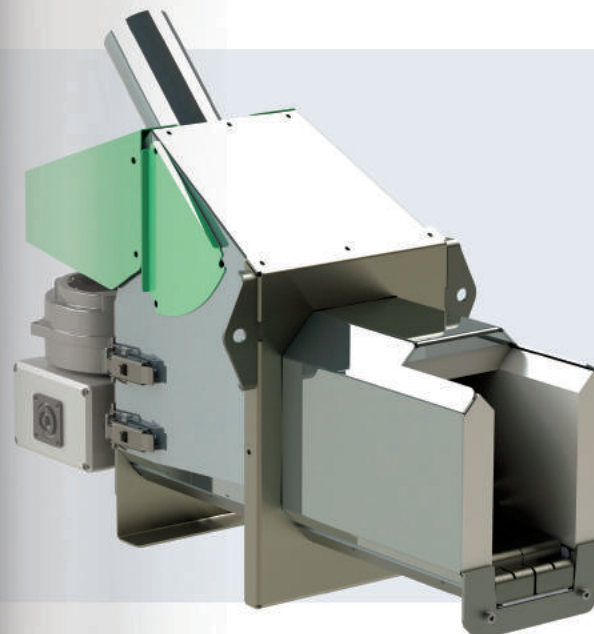
PELLET BURNER AIR PELLET 50 KW



TECHNICAL SPECIFICATIONS

ITEM	PARAMETERS
Thermal power min./max. kw	30-50 kw
Power modulation	5-100%
Fuel type	Granulated DIN Plus 6-8 mm pellets
Automatic cleaning system	Mechanical, mobile poker
The diameter of the filling neck of the burner	65,55 mm
Minimum combustion chamber draft	20 Pa
Noise level	50 dB (A)
Burner weight	18.5 kg
Power voltage	230 V +/- 10% / 50 Hz
Maximum power consumption in the ignition mode	500 W
Maximum power consumption in operation mode	130 W
Degree of protection	IP 40

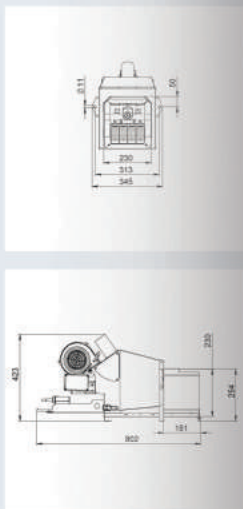
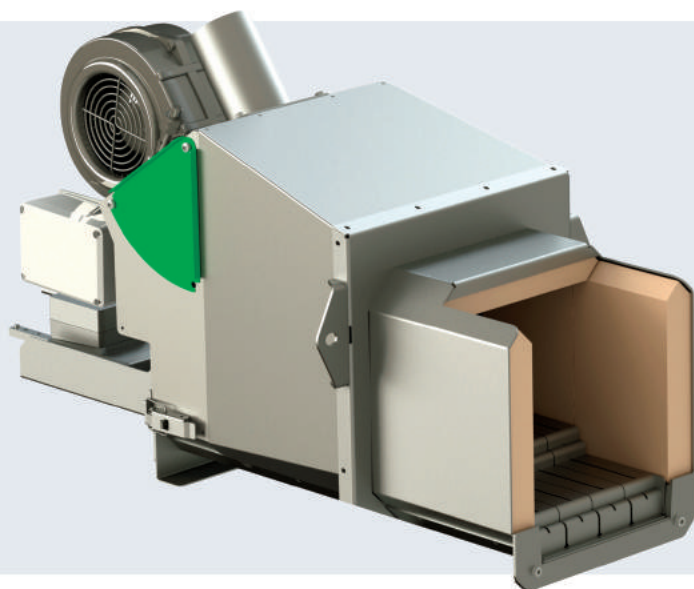
ПЕЛЛЕТНАЯ ГОРЕЛКА AIR PELLET CERAMIC 40 KBT



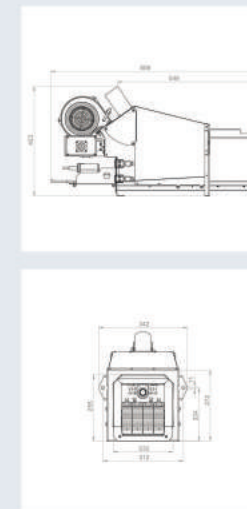
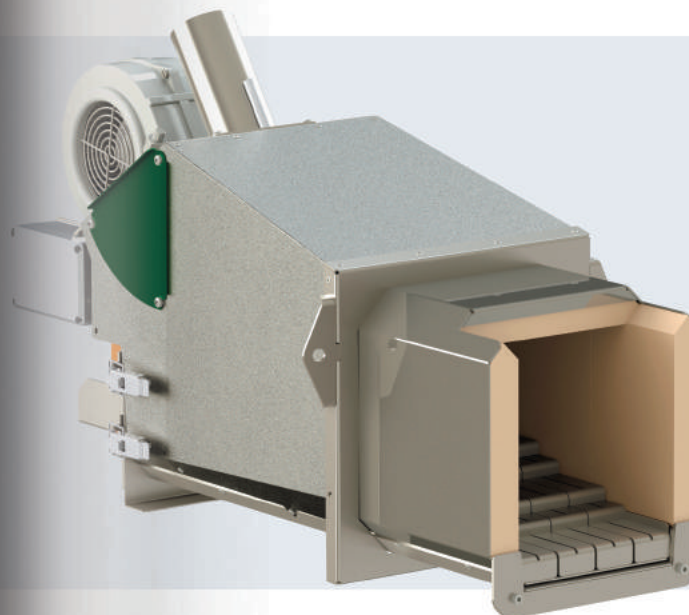
ТЕХНИЧЕСКИЕ ХАРАКТЕРИСТИКИ

ITEM	PARAMETERS
Thermal power min./max. kw	15-40 kw
Power modulation	5-100%
Fuel type	Granulated DIN Plus 6-8 mm pellets
Automatic cleaning system	Mechanical, mobile grate
The diameter of the filling neck of the burner	65,55 mm
Minimum combustion chamber draft	20 Pa
Noise level	50 dB (A)
Burner weight	32 kg
Power voltage	230 V +/- 10% / 50 Hz
Maximum power consumption in the ignition mode	500 W
Maximum power consumption in operation mode	140 W
Degree of protection	IP 40

PELLET BURNER AIR PELLET CERAMIC 60 KW



ПЕЛЛЕТНАЯ ГОРЕЛКА AIR PELLET CERAMIC 100 KBT



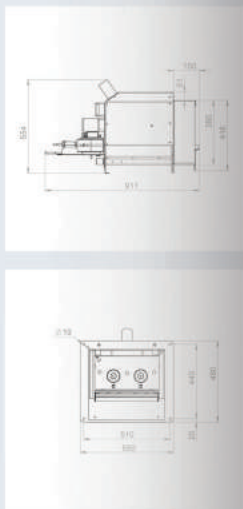
TECHNICAL SPECIFICATIONS

ITEM	PARAMETERS
Thermal power min./max. kw	30-60 kw
Power modulation	5-100%
Fuel type	Granulated DIN Plus 6-8 mm pellets
Automatic cleaning system	Mechanical, mobile grate
The diameter of the filling neck of the burner	65,55 mm
Minimum combustion chamber draft	20 Pa
Noise level	50 dB (A)
Burner weight	65 kg
Power voltage	230 V +/- 10% / 50 Hz
Maximum power consumption in the ignition mode	900 W
Maximum power consumption in operation mode	130 W
Degree of protection	IP 40

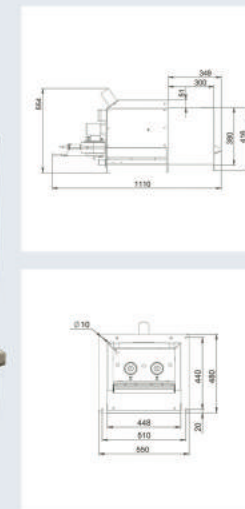
TECHNICAL SPECIFICATIONS

ITEM	PARAMETERS
Thermal power min./max. kw	60-100 kw
Power modulation	5-100%
Fuel type	Granulated DIN Plus 6-8 mm pellets
Automatic cleaning system	Mechanical, mobile grate
The diameter of the filling neck of the burner	65,55 mm
Minimum combustion chamber draft	20 Pa
Noise level	50 dB (A)
Burner weight	70 kg
Power voltage	230 V +/- 10% / 50 Hz
Maximum power consumption in the ignition mode	900 W
Maximum power consumption in operation mode	130 W
Degree of protection	IP 40

PELLET BURNER AIR PELLET CERAMIC 200 KW



PELLET BURNER AIR PELLET CERAMIC 300 KW



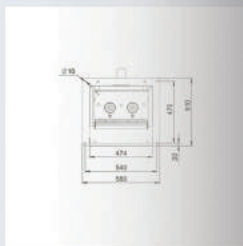
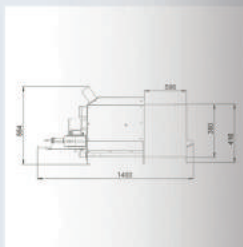
TECHNICAL SPECIFICATIONS

ITEM	PARAMETERS
Thermal power min./max. kw	70-200 kw
Power modulation	5-100%
Fuel type	Granulated DIN Plus 6-8 mm pellets
Automatic cleaning system	Mechanical, mobile grate
The diameter of the filling neck of the burner	65,55 mm
Minimum combustion chamber draft	20 Pa
Noise level	50 dB (A)
Burner weight	120 kg
Power voltage	230 V +/- 10% / 50 Hz
Maximum power consumption in the ignition mode	900 W
Maximum power consumption in operation mode	230 W
Degree of protection	IP 40

TECHNICAL SPECIFICATIONS

ITEM	PARAMETERS
Thermal power min./max. kw	100-300 kw
Power modulation	5-100%
Fuel type	Granulated DIN Plus 6-8 mm pellets
Automatic cleaning system	Mechanical, mobile grate
The diameter of the filling neck of the burner	65,55 mm
Minimum combustion chamber draft	20 Pa
Noise level	50 dB (A)
Burner weight	150 kg
Power voltage	230 V +/- 10% / 50 Hz
Maximum power consumption in the ignition mode	1050 W
Maximum power consumption in operation mode	300 W
Degree of protection	IP 40

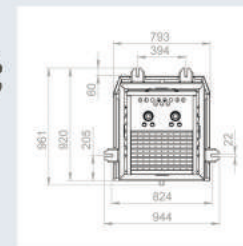
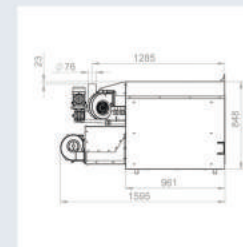
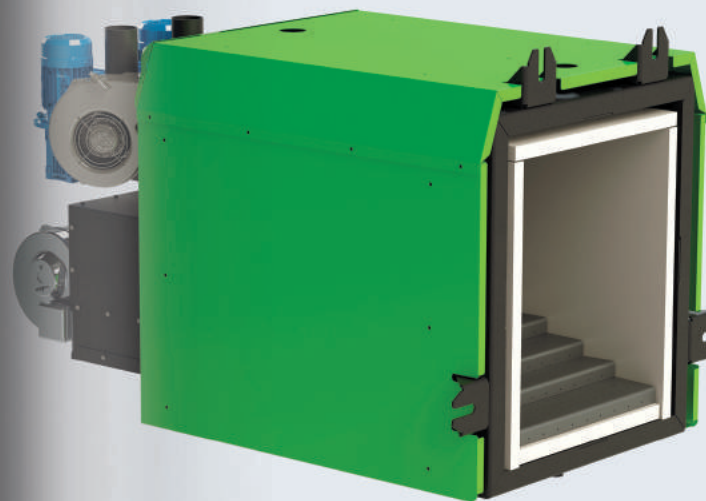
PELLET BURNER AIR PELLET CERAMIC 500 KW



TECHNICAL SPECIFICATIONS

ITEM	ПАРАМЕТРЫ
Thermal power min./max. kw	200-500 kw
Power modulation	5-100%
Fuel type	Granulated DIN Plus 6-8 mm pellets
Automatic cleaning system	Mechanical, mobile grate
The diameter of the filling neck of the burner	65,55 mm
Minimum combustion chamber draft	20 Pa
Noise level	50 dB (A)
Burner weight	200 kg
Power voltage	230 V +/- 10% / 50 Hz
Maximum power consumption in the ignition mode	1100 W
Maximum power consumption in operation mode	350 W
Degree of protection	IP 40

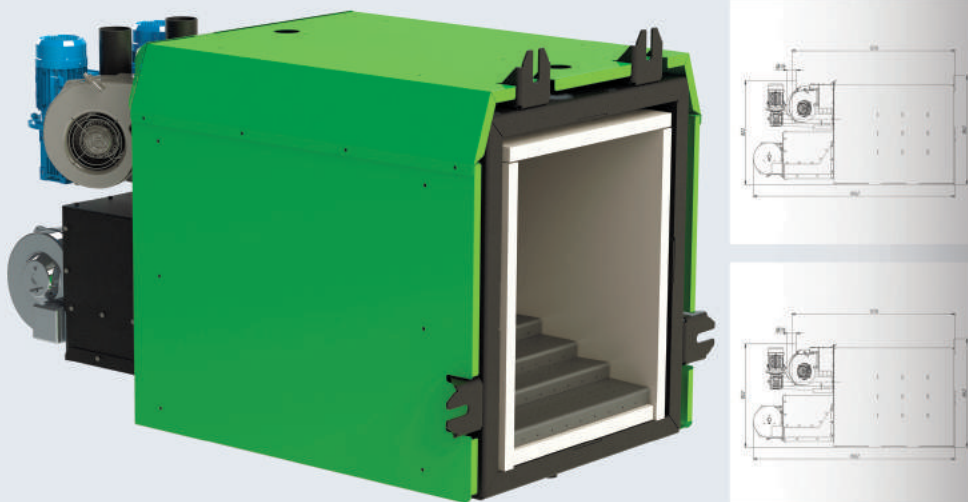
PELLET BURNER AIR PELLET CERAMIC 750 KW



TECHNICAL SPECIFICATIONS

ITEM	ПАРАМЕТРЫ
Thermal power min./max. kw	200-750 kw
Power modulation	5-100%
Fuel type	Granulated DIN Plus 6-8 mm pellets
Automatic cleaning system	Mechanical, mobile grate
The diameter of the filling neck of the burner	65,55 mm
Minimum combustion chamber draft	20 Pa
Noise level	60 db (A)
Burner weight	600 kg
Power voltage	380 V +/- 10% / 50 Hz
Maximum power consumption in the ignition mode	2500 W
Maximum power consumption in operation mode	1000 W
Degree of protection	IP 40

PELLET BURNER AIR PELLET CERAMIC 1000 KW



TECHNICAL SPECIFICATIONS

ITEM	ПАРАМЕТРЫ
Thermal power min./max. kw	300-1000 kw
Power modulation	5-100%
Fuel type	Granulated DIN Plus 6-8 mm pellets
Automatic cleaning system	Mechanical, mobile grate
The diameter of the filling neck of the burner	65,55 mm
Minimum combustion chamber draft	20 Pa
Noise level	60 db (A)
Burner weight	800 kg
Power voltage	380 V +/- 10% / 50 Hz
Maximum power consumption in the ignition mode	2500 W
Maximum power consumption in operation mode	1000 W
Degree of protection	IP 40

PELLET BURNER AIR PELLET CERAMIC 1500 KW



TECHNICAL SPECIFICATIONS

ITEM	PARAMETERS
Thermal power min./max. kw	500-1500 kw
Power modulation	5-100%
Fuel type	Granulated DIN Plus 6-8 mm pellets
Automatic cleaning system	Mechanical, mobile grate
The diameter of the filling neck of the burner	65,5 mm
Minimum combustion chamber draft	20 Pa
Noise level	60 db (A)
Burner weight	900 kg
Power voltage	380 V +/- 10% / 50 Hz
Maximum power consumption in the ignition mode	2500 W
Maximum power consumption in operation mode	1000 W
Degree of protection	IP 40

FUELING MECHANISM 1.5 / 2/3 M

DESIGNED FOR FEEDING PELLETS
FROM BUNKER TO BURNER

TECHNICAL SPECIFICATIONS

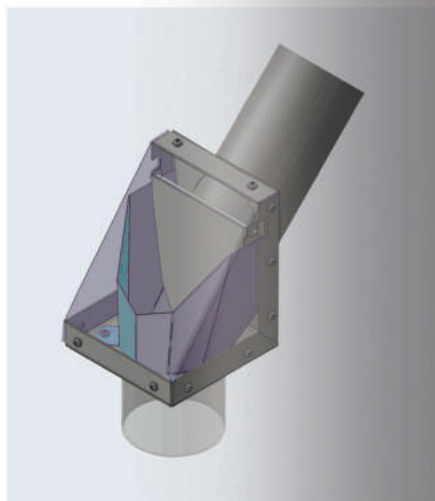
ITEM	PARAMETERS
Capacity	61.2 kg / h
Weight 1.5 / 2/3 m	11 / 11.5 / 12 kg
Power voltage	230 V +/- 1 0% / 50 Hz
Maximum power consumption	25 W
Degree of protection	IP 40



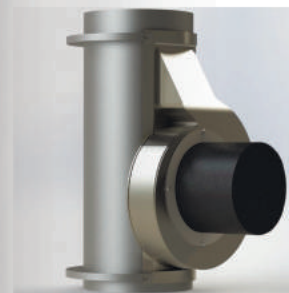
REVERSE VALVE OF AIR PELLET BURNER

TECHNICAL SPECIFICATIONS

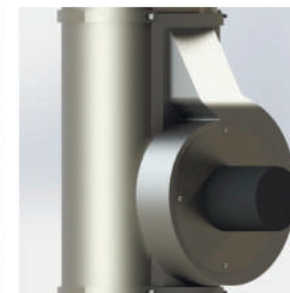
ITEM	PARAMETERS
Height	223 mm
Width	99 mm
Depth	199 mm
Weight	1 kg
Material	Stainless
DIAMETER OF ATTACHMENTS:	
- to internal burner	60,5 mm
- to the nozzle	60,3 mm



SMOKE EXTRACTION KNOT EXHAUSTER H-0160/ H-0220/ H-0300



EXHAUSTER H-0160

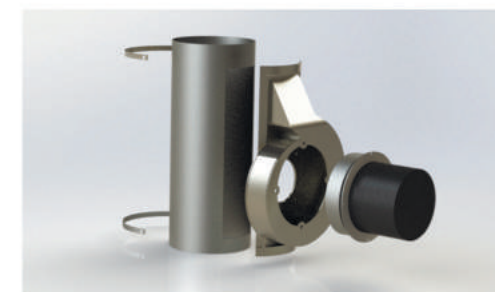


EXHAUSTER H-0220



EXHAUSTER H-0300

Placed on chimneys diameter -
160/220 / 300mm, provides flue
exhaust gases from the boiler,
regulated by AIR automat on software.



TECHNICAL SPECIFICATIONS

ITEM	H-0160	H-0220	H-0300
The diameter of the chimney	160	220	300
Capacity	200 m ³ /h	235 m ³ /h	500 m ³ /h
Power consumption	32 W	57 W	110 W
Weight	4,5 kg	5 kg	7 kg
Material	Stainless		
Modulation	10-100%		
Temperature of flue gases	250 C		
Power voltage	230 V +/- 10% / 50 Hz		

REMOTE CONTROL SYSTEM

"BIOPROM KHARKOV" company has developed special software for dispatching with a pellet burner using the **wi-fi** system.

Automation remotely controls the loads, captures the current consumption of pellets.

The server allows conducting the logging of operation and setting the weekly operation of the burner.

Remote access to the operation of the pellet burner makes the operation of the boiler more secure and manageable.

The software developed by our specialists is user friendly, as it is designed in the form of a mobile application, which is always "at hand".

CONTROLLER AIR TOUCH

CONTROLS PELLETT BURNER OF TORCH TYPE



This automation is based on the Android Things system using a 7 inch touch screen.

A simple interface and connection via a Wi-Fi network allows remote control of the burner operation.

TECHNICAL SPECIFICATIONS

ITEM	ПАРАМЕТРЫ
Temperature setting range	from 40° C to 90 °C
Accuracy of measurement	+/- 2 °C
Power supply of the controller	230 V +/- 10% / 50 Hz
Operating temperature	10° C to 50 °C
Temperature of sensors measurement	0° to 95 °C
Power consumption	10 W
Maximum fan / pump power	300Bt/200 W
Resistance of the temperature sensor	from -55° C to +150 °C
Weight	2 kg
Safety insert	10 A



КОНТРОЛЛЕР AIR BIO UNIVERSAL

CONTROLS PELLET BURNER
OF TORCH TYPE



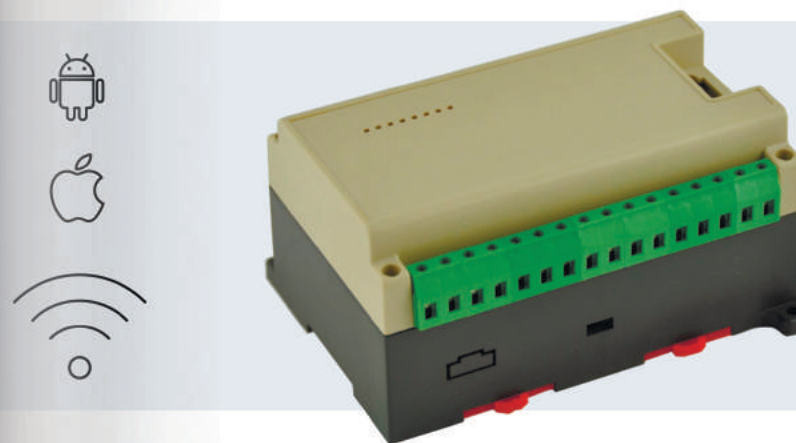
TECHNICAL SPECIFICATIONS

ITEM	PARAMETERS
Temperature setting range	40 °C to 90 °C
Accuracy of measurement	+/- 2 °C
Power supply of the controller	230 V +/- 10% / 50 Hz
Operating temperature	10 °C to 50 °C
Temperature of sensors measurement	0 °C to 95 °C
Power consumption	6 W
Maximum fan / pump power	300 W/200 W
Resistance of the temperature sensor	from -55 °C to +150 °C
Weight	1,5 kg
Safety insert	10 A



CONTROLLER PELLET LEVEL

OF BULK MATERIALS LEVEL



The controller connects to a remote server, which allows monitoring the current fuel level in real time.

TECHNICAL SPECIFICATIONS

ITEM	PARAMETERS
Power supply of the controller	230 V +/- 10% / 50 Hz
Operating temperature	10 °C to 50 °C
Power consumption	1,5 W
Maximum power output	200 W
Weight	0,5 kg
Safety insert	3 A



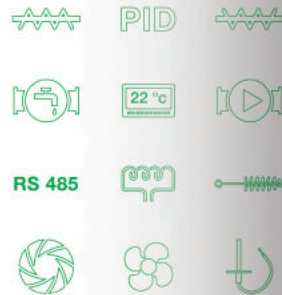
CONTROLLER AIR BIO PID

CONTROLS PELLET BURNER
OF TORCH TYPE



TECHNICAL SPECIFICATIONS

ITEM	PARAMETERS
Temperature setting range	from 40 °C to 90 °C
Accuracy of measurement	+/- 2 °C
Power supply of the controller	230 V +/- 10% / 50 Hz
Operating temperature	10 °C to 50 °C
Temperature of sensors measurement	0 °C to 95 °C
Power consumption	6 W
Maximum fan / pump power	300 W/200 W
Resistance of the temperature sensor	from -55 °C to +150 °C
Weight	1,5 kg
Safety insert	10 A



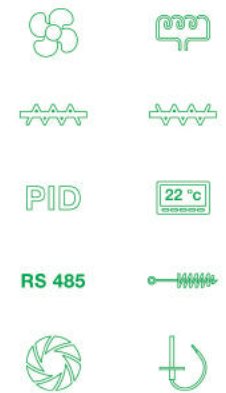
CONTROLLER AIR BIO OVEN

УПРАВЛЯЕТ ПЕЛЛЕТНОЙ ГОРЕЛКОЙ
ФАКЕЛЬНОГО ТИПА



TECHNICAL SPECIFICATIONS

ITEM	PARAMETERS
Temperature setting range	from 40 °C to 90 °C
Accuracy of measurement	+/- 2 °C
Power supply of the controller	230 V +/- 10% / 50 Hz
Operating temperature	10 °C to 50 °C
Temperature of sensors measurement	0 °C to 95 °C
Power consumption	1,5 W
Maximum fan / pump power	300 W
Resistance of the temperature sensor	from -55 °C to +150 °C
Weight	1,5 kg
Safety insert	10 A



CONTROLLER AIR GSM

FOR REMOTE CONTROL
OF PELLET BURNER



TECHNICAL SPECIFICATIONS

ITEM	PARAMETERS
Temperature setting range	from 40 °C to 90 °C
Accuracy of measurement	+/- 2 °C
Power supply of the controller	230 V +/- 10% / 50 Hz
Operating temperature	10 °C to 50 °C
Temperature of sensors measurement	0 °C to 95 °C
Power consumption	15 W
Resistance of the temperature sensor	from -55°C to +150 °C
Weight	1 kg



CONTROLLER AIR BIO

CONTROLS OPERATION OF PELLET
BURNER OF RETORT TYPE



TECHNICAL SPECIFICATIONS

ITEM	PARAMETERS
Temperature setting range	from 40 °C to 90 °C
Accuracy of measurement	+/- 2 °C
Power supply of the controller	230 V +/- 10% / 50 Hz
Operating temperature	10 °C to 50 °C
Temperature of sensors measurement	0 °C to 95 °C
Power consumption	4,5 W
Maximum fan / pump power	300 W/200 W
Resistance of the temperature sensor	from -55°C to +150 °C
Weight	1,2 kg
Safety insert	10 A



CONTROLLER AIR AUTO +

CONTROLS SOLID FUEL BOILER



TECHNICAL SPECIFICATIONS

ITEM	PARAMETERS
Temperature setting range	from 40 °C to 90 °C
Accuracy of measurement	+/- 2 °C
Power supply of the controller	230 V +/- 10% / 50 Hz
Operating temperature	10 °C to 50 °C
Temperature of sensors measurement	0 °C to 95 °C
Power consumption	2 W
Maximum fan / pump power	300 W/200 W
Resistance of the temperature sensor	from -55°C to +150 °C
Weight	1,2 kg
Safety insert	3 A



PID



CONTROLS SOLID FUEL BOILER

CONTROLLER AIR AUTO HW



TECHNICAL SPECIFICATIONS

ITEM	PARAMETERS
Temperature setting range	from 40 °C to 90 °C
Accuracy of measurement	+/- 2 °C
Power supply of the controller	230 V +/- 10% / 50 Hz
Operating temperature	10 °C to 50 °C
Temperature of sensors measurement	0 °C to 95 °C
Power consumption	2 W
Maximum fan / pump power	300 W/200 W
Resistance of the temperature sensor	from -55°C to +150 °C
Weight	1,5 kg
Safety insert	5 A



PID



CONTROLLER AIR AUTO T

CONTROLS SOLID FUEL BOILER



TECHNICAL SPECIFICATIONS

ITEM	PARAMETERS
Temperature setting range	from 40 °C to 90 °C
Accuracy of measurement	+/- 2 °C
Power supply of the controller	230 V +/- 10% / 50 Hz
Operating temperature	10 °C to 50 °C
Temperature of sensors measurement	0 °C to 95 °C
Power consumption	2 W
Maximum fan / tubular heating element power	300 W/500 W
Resistance of the temperature sensor	from -55°C to +150 °C
Weight	1,2 kg
Safety insert	5 A



CONTROLLER AIR AUTO TG

CONTROLS HEAT GENERATOR



TECHNICAL SPECIFICATIONS

ITEM	PARAMETERS
Temperature setting range	from 60 °C to 180 °C
Accuracy of measurement	+/- 2 °C
Power supply of the controller	230 V +/- 10% / 50 Hz
Operating temperature	10 °C to 50 °C
Temperature of sensors measurement	0 °C to 400 °C
Power consumption	2 W
Maximum fan / pump power	300 W/500 W
Resistance of the temperature sensor	from -55°C to +400 °C
Weight	2 kg
Safety insert	5 A



PID



CONTROLLER AIR AUTO U

CONTROLS SOLID FUEL BOILER



TECHNICAL SPECIFICATIONS

ITEM	PARAMETERS
Temperature setting range	from 40 °C to 90 °C
Accuracy of measurement	+/- 2 °C
Power supply of the controller	230 V +/- 10% / 50 Hz
Operating temperature	10 °C to 50 °C
Temperature of sensors measurement	0 °C to 95 °C
Power consumption	2 W
Maximum fan / pump power	1000 W/1000 W
Resistance of the temperature sensor	from -55°C to +150 °C
Weight	1,2 kg
Safety insert	10 A



PID



CONTROLLER AIR LOGIC+

CONTROLS SOLID FUEL BOILER



TECHNICAL SPECIFICATIONS

ITEM	PARAMETERS
Temperature setting range	from 40 °C to 90 °C
Accuracy of measurement	+/- 2 °C
Power supply of the controller	230 V +/- 10% / 50 Hz
Operating temperature	10 °C to 50 °C
Temperature of sensors measurement	0 °C to 95 °C
Power consumption	1,5 W
Maximum fan / pump power	300 W/200 W
Resistance of the temperature sensor	from -55°C to +400 °C
Weight	1,2 kg
Safety insert	3 A



PID



CONTROLLER AIR LOGIC FAN

FOR CONTROLLING
THE FAN HEATER



TECHNICAL SPECIFICATIONS

ITEM	PARAMETERS
Temperature setting range	from 20 °C to 70 °C
Accuracy of measurement	+/- 2 °C
Power supply of the controller	230 V +/- 10% / 50 Hz
Operating temperature	10 °C to 50 °C
Temperature of sensors measurement	0 °C to 95 °C
Power consumption	1,5 W
Maximum fan / pump power	200 W/200 W
Resistance of the temperature sensor	from -55°C to +150 °C
Weight	1,2 kg
Safety insert	3 A

PID



GENERAL FUNCTIONAL TABLE OF AIR CONTROLLERS

КОНТРОЛЛЕР	LOGIC +	AUTO +	AUTO HW	AUTO T	AUTO TG	BIO	BIO PID	BIO OVEN	BIO UNIVERSAL	GSM МОДУЛЬ
УПРАВЛЕНИЕ										
t° PUMP	●	●	●	●		●	●		●	●
t° D.H.W.			●			●	●		●	●
t° BO					●			●		
t° FH		○	○	○	●		●	●	●	
t° mechanical feed						●	●	●	●	
Pid mode	●	●	●	●	●		●	●	●	
Start-Stop							●	●	●	
PUMP	●	●	●	●		●	●		●	
D.H.W.			●			●	●		●	
Winter / Summer			●			●	●		●	●
FAN	●	●	●	●	●	●	●	●	●	
FAN					●					
Smoke exhauster									○	
Auto ignition							●	●	●	
Opto sensor									●	
Internal screw							●	●	●	
Feeder-screw						●	●	●	●	
Op. with man. loading	●	●	●	●	●				●	
Screw reverse						○	○	○	○	
Cleaning							●	●	●	
Room thermostat		●	●	●	●	●	●	●	●	●
E heater				○						
Sensor of tem. protec.		○	●	○		●			○	
Anti-freezing	●	●	●	●		●	●		●	
Alarm system	●	●	●	●	●	●	●	●	●	●
External alarm		○	●	●	○	●			●	
GSM							○			
Wi-Fi									●	
Server									●	
Android									●	●
IOS										

● regular function

○ additional option (set on request)

ADVANTAGES OF COOPERATION WITH US

1

FULL CYCLE PRODUCTION -

design and production
of pellet burners
in-house.

2

REMOTE ACCESS SERVER -

is a unique
development of
our experts for
"AIR" controllers.

3

ENVIRONMENTAL FRIENDLINESS -

use of alternative
energy sources
allows taking care
of the environment.

4

HIGH EFFICIENCY -

pellet burner capacity
reaches up to 90-94%,
which ensures greater
heat output at
minimum cost.

5

ECONOMY -

pellet burners
it's economic and
an absolutely safe
way to get thermal
energy out of biomass.

6

SERVICE MAINTENANCE -

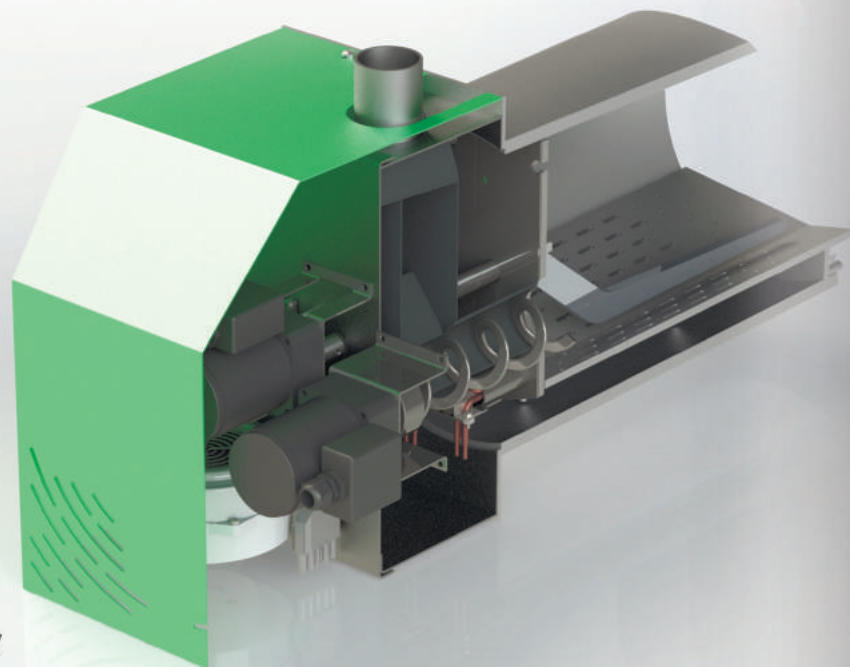
equipment exchange
within 14 days,
warranty (12-24
months) and post-
warranty service.

APPLICATIONS OF PELLET BURNERS

Alternative heating methods are becoming increasingly popular due to their **efficiency and environmental friendliness**.

Modernization of existing heating systems with torch pellet burners allows to optimize these processes in various fields of activity.

AIR pellet pellet burners have already been installed at private and state enterprises, factories, in agricultural farms, in production companies, in medical and educational institutions, in houses with individual heating. Due to the different configuration and power capacity, pellet burners easily heat large areas.



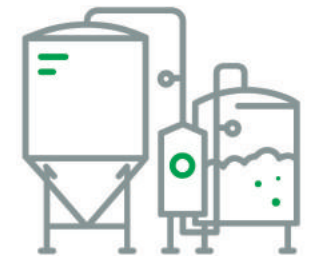
Private and state enterprises



Medical institutions



Agricultural industry



Production



Educational institutions




Houses with individual heating



**STAGES OF
COOPERATION
WITH US**

1 
You leave
a request

2 
We select
equipment

3 
Transferring
the project to
production

4 
Order
delivery

5 
Service
maintenance

FEEDBACK/TESTIMONIALS



STROPUVA-UKRAINE LTD

Our company has been cooperating with Bioprom for many years and during this time I would like to note the high professionalism and responsible approach to their work.

All the staff have repeatedly proved to us, as business partners, that their products deserve the highest grade. Sales managers always describe everything, easily and clearly answer



all the questions arising, besides that they can advise on high-quality pellets and advantageous offers for the purchase of automation and burners.

I am very pleased with the fact that the whole team of the company is consciously approaching its business: it is developing the industry and economy of Ukraine.



"MAYAK" PJSC

"Mayak" PJSC has been cooperating with Bioprom Kharkiv company since 2017 for the supply of Air Pellet and Air Pellet Ceramic series of pellet burners.

Our company is fully satisfied with the work of the Bioprom Kharkov LLC specialists for the supply of products



and the provision of service and warranty service.

"Mayak" PJSC in the person of the General Director, I. S. Mushtai thanks the specialists of Bioprom Kharkov LLC and considers it possible to recommend Bioprom Kharkov LLC as a reliable partner.



"KOROSTENSKY HEAT ENGINEERING EQUIPMENT PLANT"



Korostensky Heat Engineering Equipment Plant LLC TD expresses gratitude for the close and fruitful cooperation in the supply of components, namely controllers and pellet burners for the solid fuel boilers we produce.

Our company is fully satisfied with the work of the Bioprom Kharkov LLC specialists for the supply of products and the provision of service and warranty service.